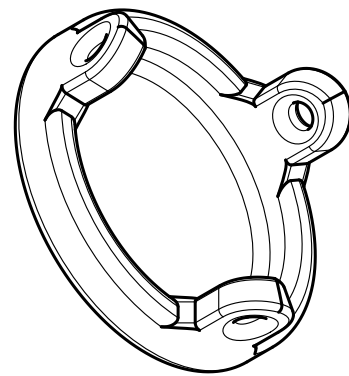
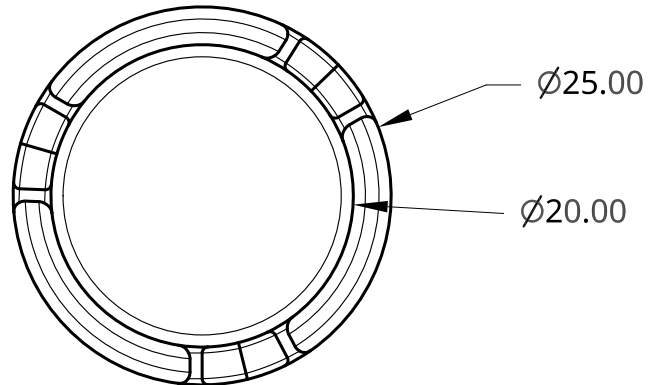
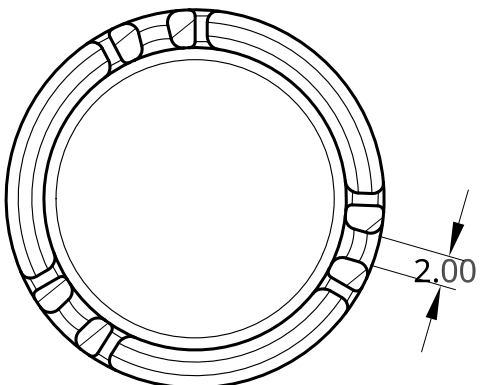
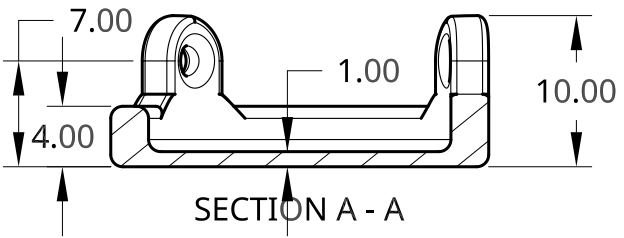
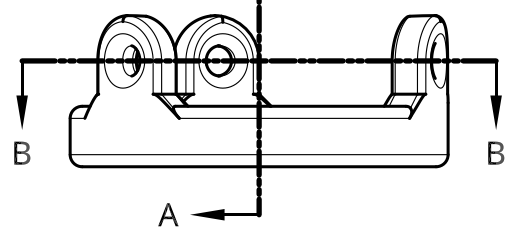


2

1



SECTION B - B



SECTION A - A

B

B

A

A

UNLESS OTHERWISE SPECIFIED, DIMENSIONS ARE IN INCHES .XX = ±.0- .XXX = ±.00- .XXXX = ±.000-		NAME	DATE		
SURFACE FINISH		DRAWN	Christian FROMENTIN	02/09/2018	
DO NOT SCALE DRAWING		CHECKED			TITLE
BREAK ALL SHARP EDGES AND REMOVE BURRS		APPROVED			----
THIRD ANGLE PROJECTION		MATERIAL	FINISH	SIZE	DWG NO.
				A	----
				SCALE	REV.
				2:1	-
				WEIGHT	SHEET
					1 of 1

2

1