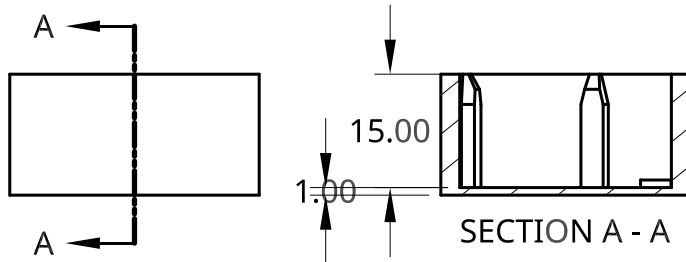
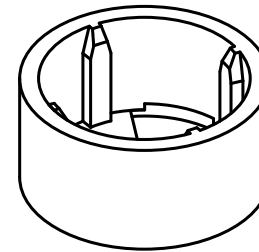
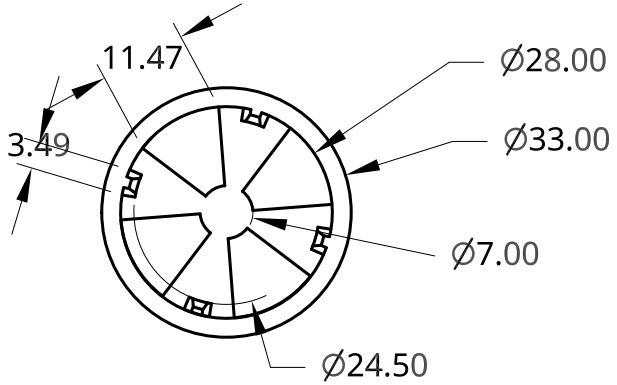



2

1



UNLESS OTHERWISE SPECIFIED, DIMENSIONS ARE IN INCHES .XX = ±.0- .XXX = ±.00- .XXXX = ±.000- SURFACE FINISH $\sqrt{\quad}$		NAME	DATE		
DO NOT SCALE DRAWING		DRAWN	Christian FROMENTIN	02/09/2018	
BREAK ALL SHARP EDGES AND REMOVE BURRS		CHECKED		TITLE	
THIRD ANGLE PROJECTION		APPROVED		---	
		MATERIAL	FINISH	SIZE	DWG NO.
				A	---
				SCALE	1:1
				WEIGHT	
				SHEET	1 of 1
				REV.	-

2

1

B

B

A

A