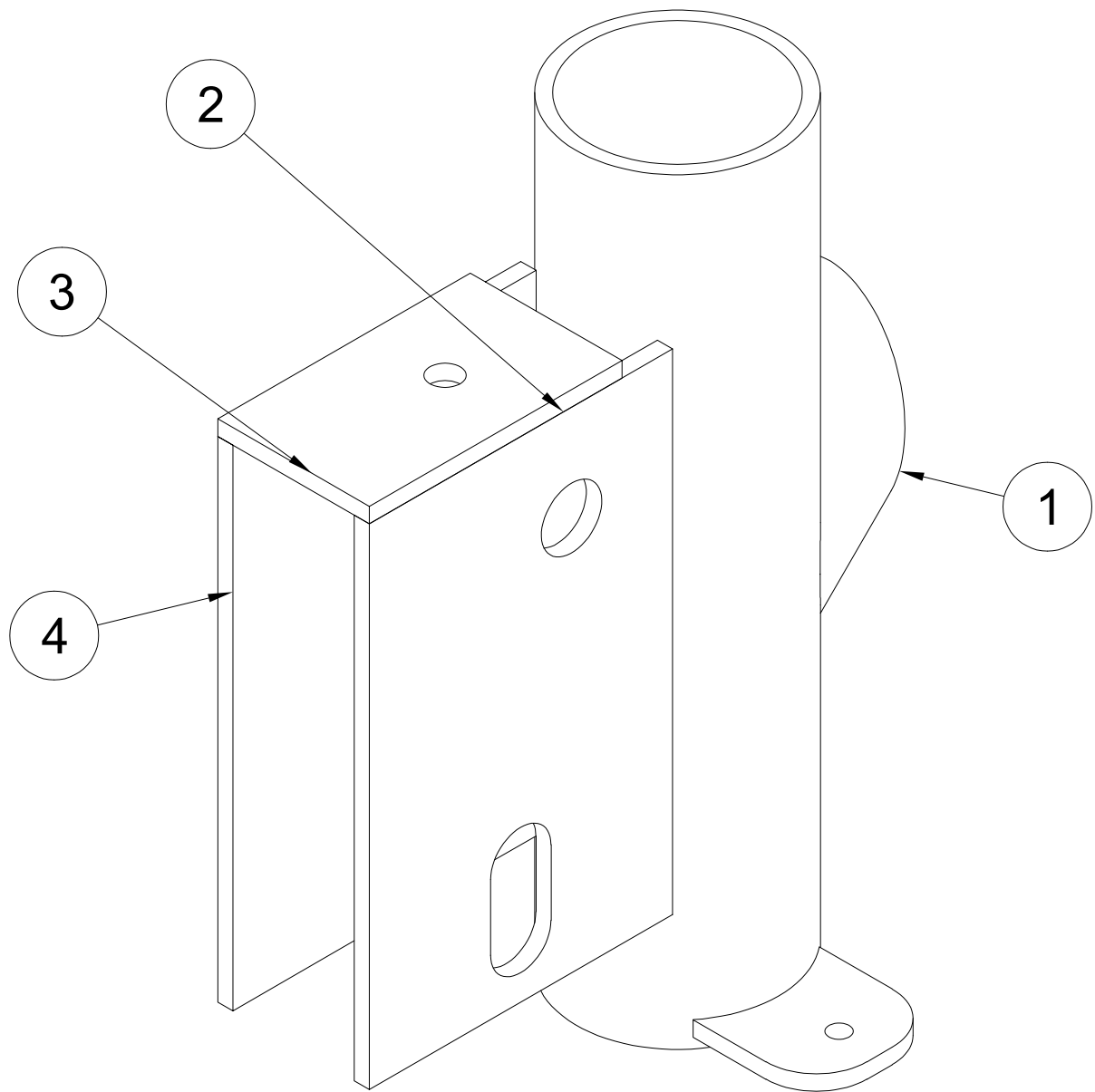


### Liste de composants

élément	qté	nom de la pièce	matériau
1	1	Bloc intérieur	Acier
2	1	Bloc extérieur	Acier
3	1	Poussoir	Acier
5	1	Boulon m12	Acier

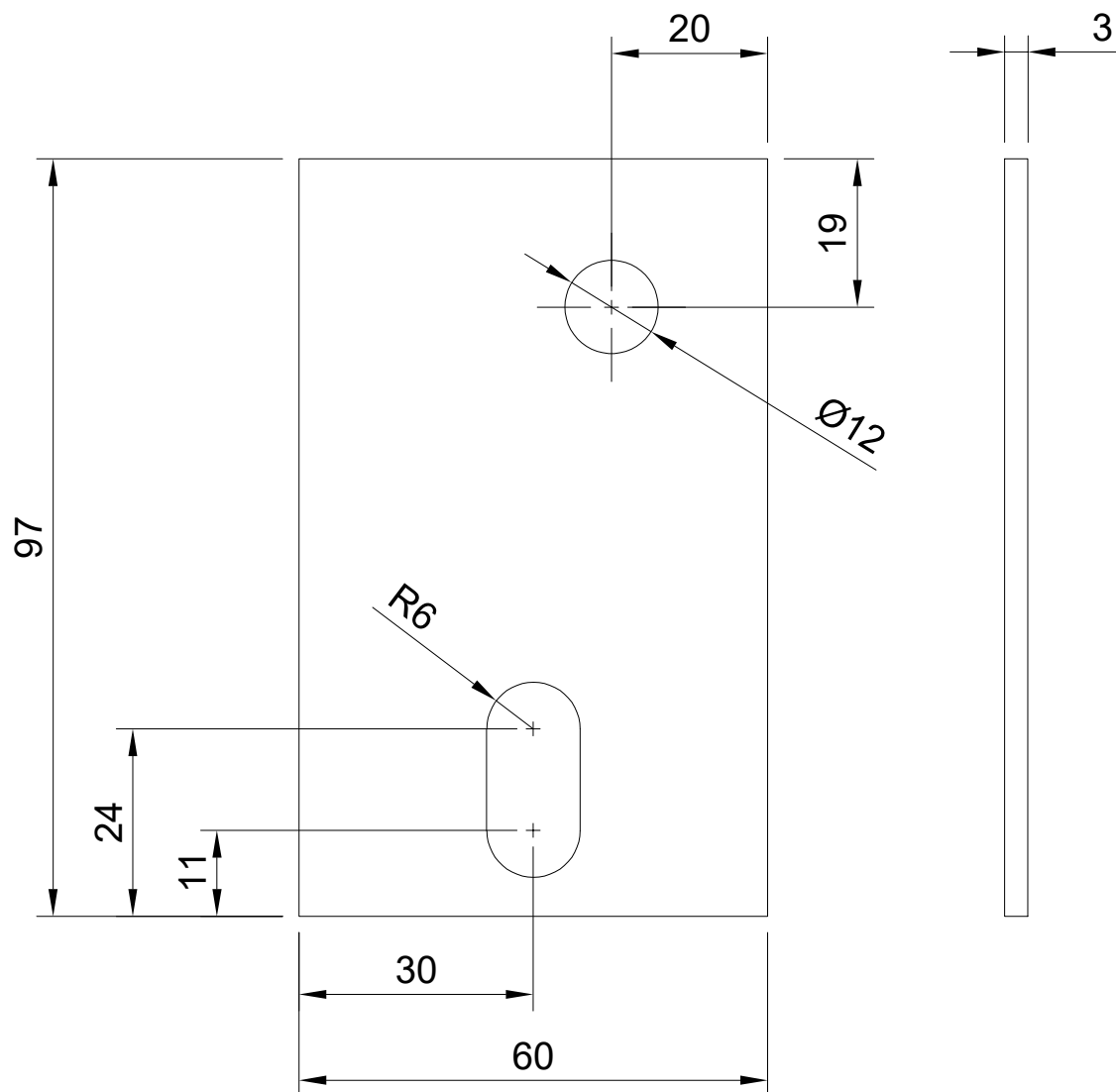
Dept.	Technical reference	Created by <b>Alexandre Le Roux 25/10/2022</b>	Approved by	
		Document type	Document status	
		Title <b>LE trotti</b>	DWG No.	
		Rev.	Date of issue	Sheet <b>1/11</b>



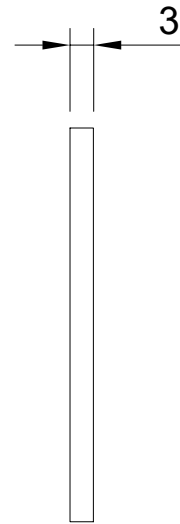
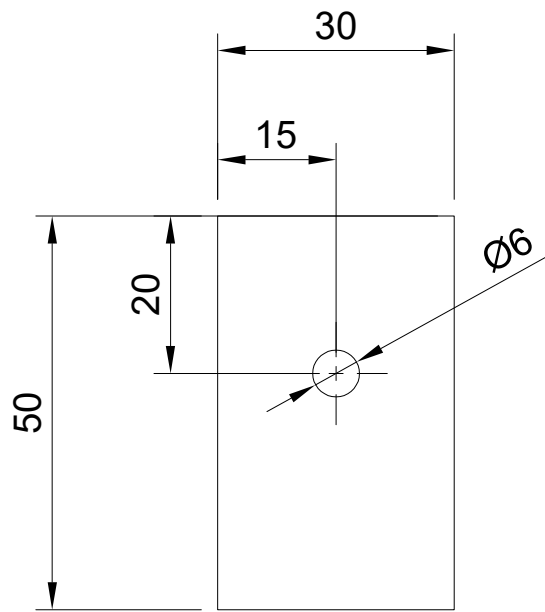
### Liste de composants

élément	qté	nom de la pièce	matériau
1	1	Tube de direction	Acier
2	1	Coté int	Acier
3	1	Dessus int	Acier
4	1	Coté int(Symétrie miroir)	Acier

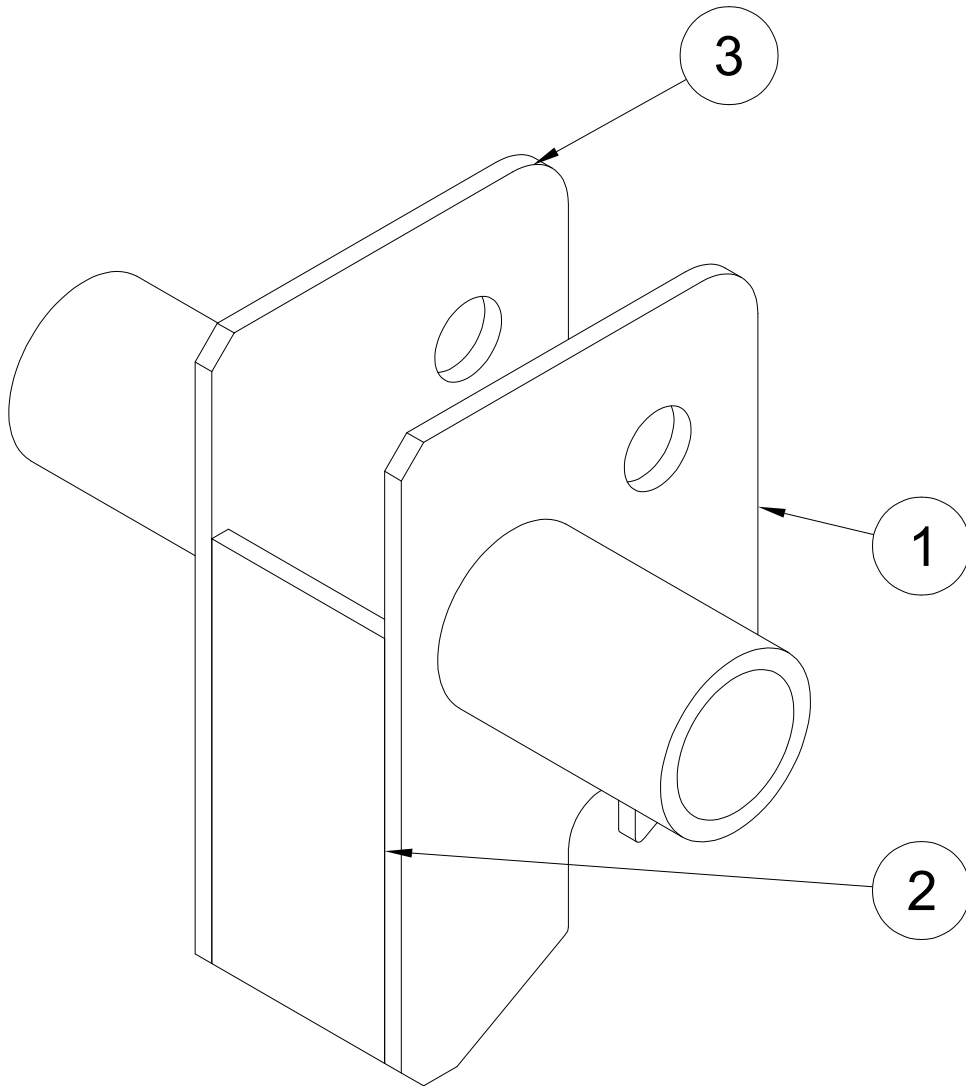
Dept.	Technical reference	Created by <b>Alexandre Le Roux 25/10/2022</b>	Approved by	
		Document type	Document status	
		Title <b>LE trotti Bloc intérieur</b>	DWG No.	
		Rev.	Date of issue	Sheet <b>2/11</b>



Dept.	Technical reference	Created by <b>Alexandre Le Roux 25/10/2022</b>	Approved by	
		Document type	Document status	
		Title <b>LE trotti Bloc intérieur Coté int</b>	DWG No.	
		Rev.	Date of issue	Sheet <b>3/11</b>



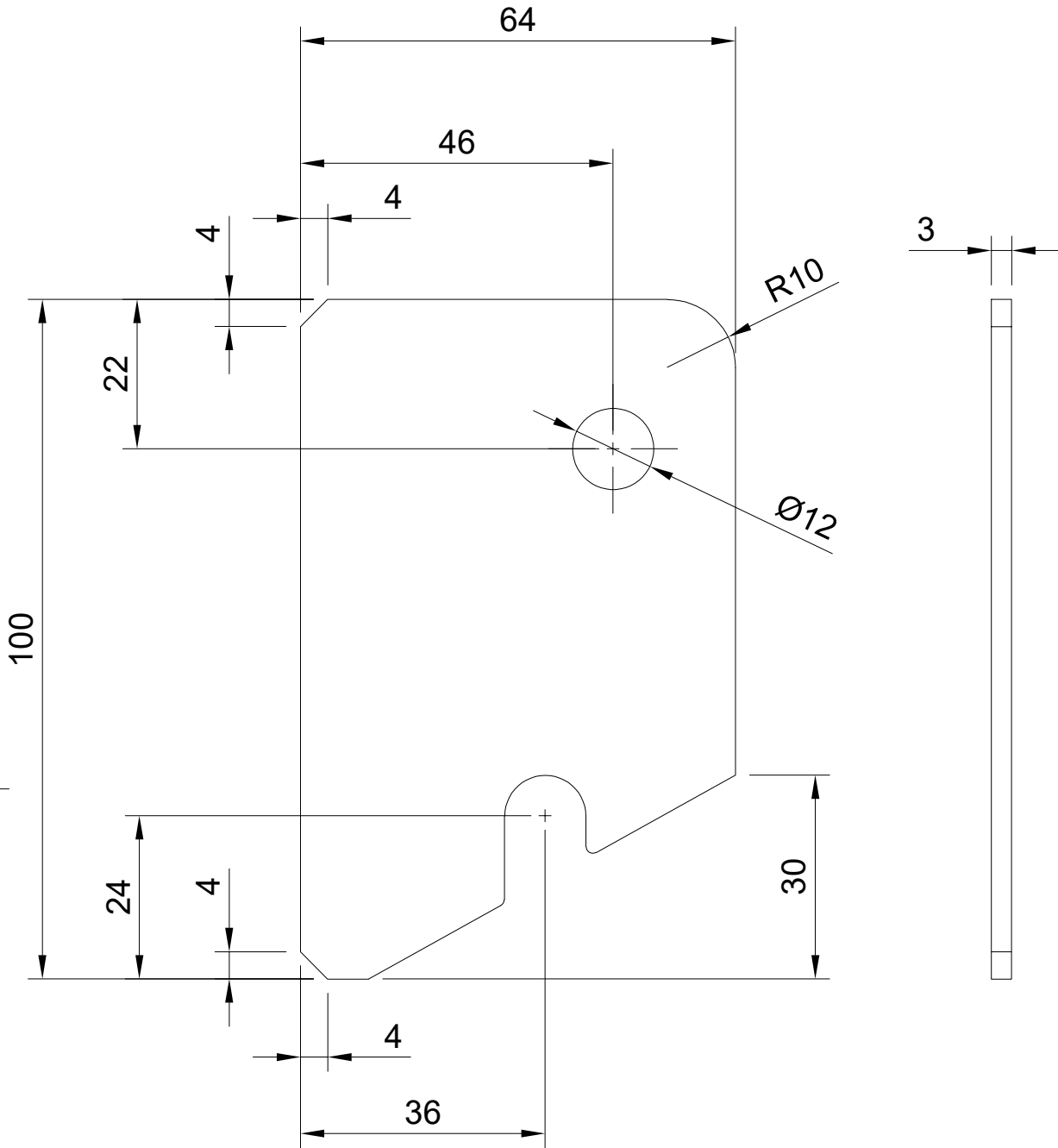
Dept.	Technical reference	Created by <b>Alexandre Le Roux 25/10/2022</b>	Approved by	
		Document type	Document status	
		Title <b>LE trotti Bloc intérieur Dessus</b>	DWG No.	
		Rev.	Date of issue	Sheet <b>4/11</b>



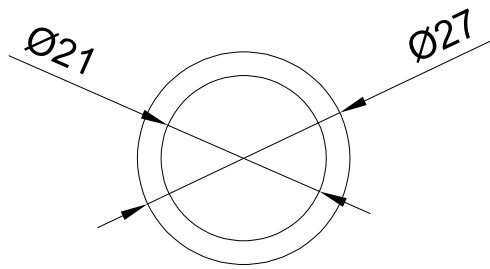
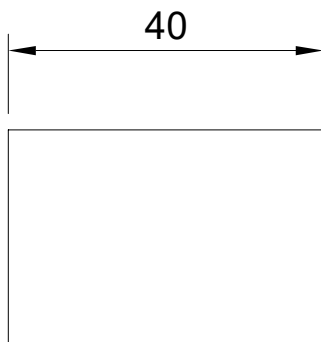
3	1	Coté ext(Symétrie miroir) (2)	Acier
2	1	Fond ext	Acier
1	1	Coté ext	Acier
élément	qté	nom de la pièce	matériau

Liste de composants

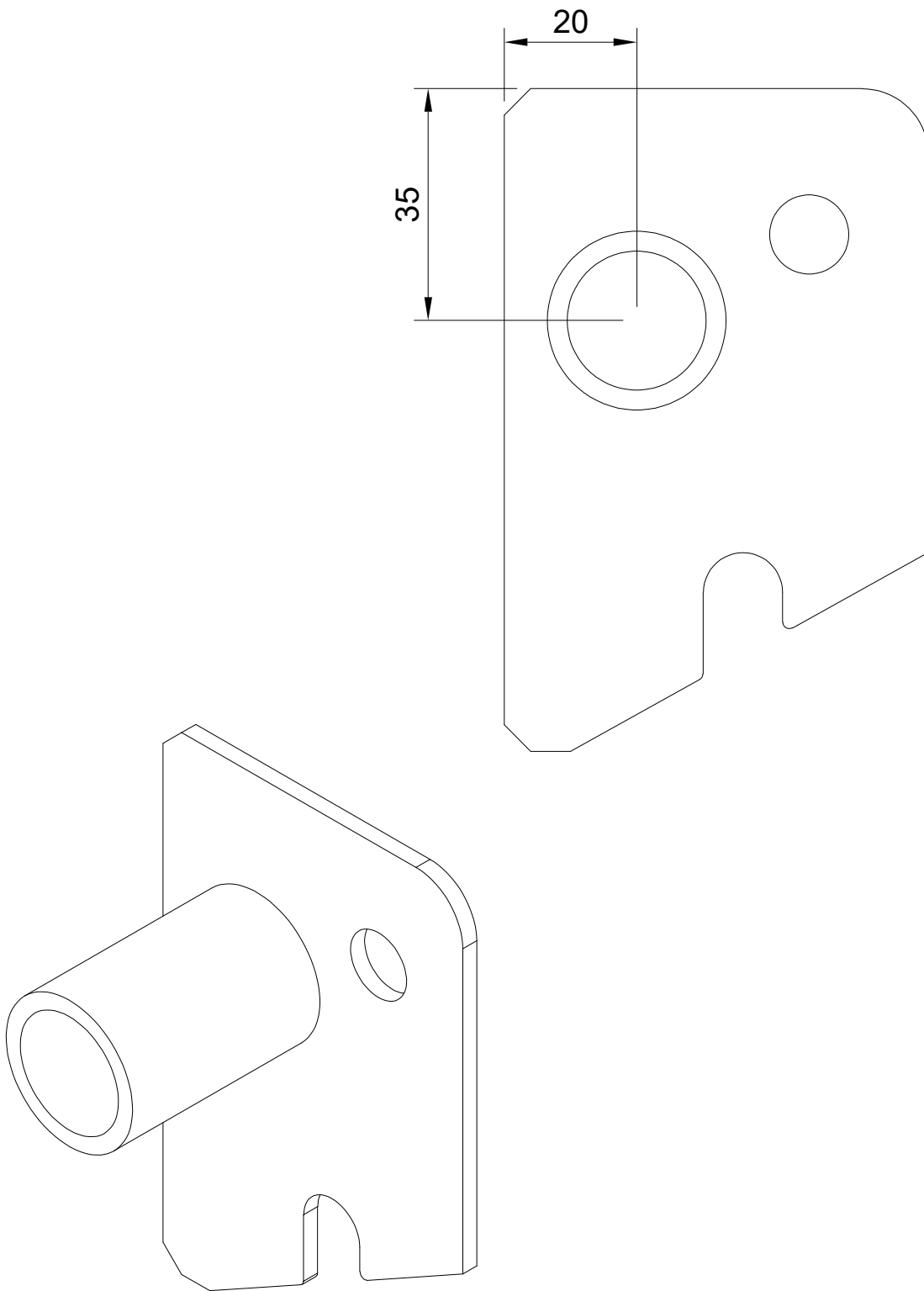
Dept.	Technical reference	Created by <b>Alexandre Le Roux 25/10/2022</b>	Approved by	
		Document type	Document status	
		Title <b>LE trotti Bloc extérieur</b>	DWG No.	
		Rev.	Date of issue	Sheet <b>5/11</b>



Dept.	Technical reference	Created by <b>Alexandre Le Roux 25/10/2022</b>	Approved by	
		Document type	Document status	
		Title <b>LE trotti Bloc extérieur Coté ext</b>	DWG No.	
			Rev.	Date of issue

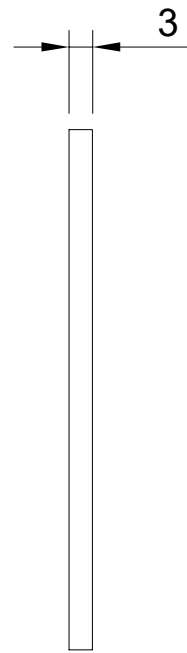
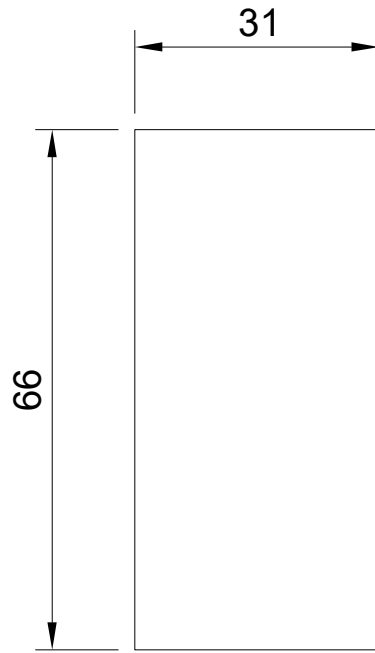


Dept.	Technical reference	Created by <b>Alexandre Le Roux 25/10/2022</b>	Approved by	
		Document type	Document status	
		Title <b>LE trotti Bloc extérieur Manchon</b>	DWG No.	
		Rev.	Date of issue	Sheet <b>7/11</b>

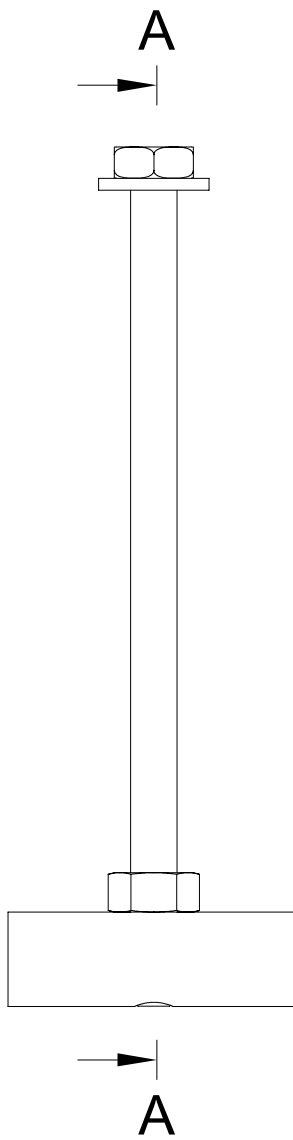
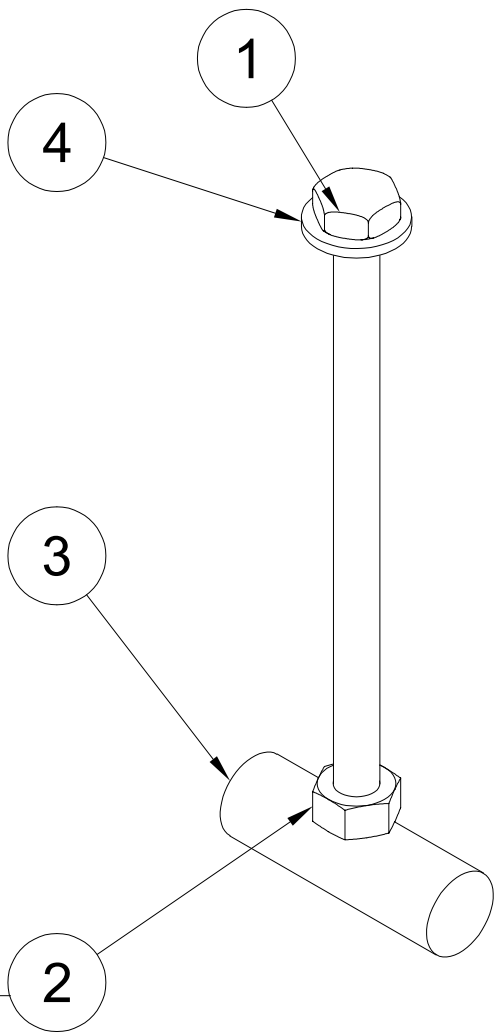


Dept.	Technical reference	Created by <b>Alexandre Le Roux 25/10/2022</b>	Approved by		
		Document type	Document status		
		Title <b>LE trotti Bloc extérieur Position machon</b>	DWG No.		
			Rev.	Date of issue	Sheet <b>8/11</b>

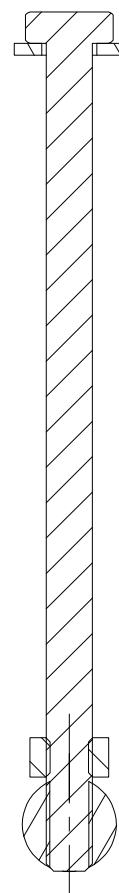




Dept.	Technical reference	Created by <b>Alexandre Le Roux 25/10/2022</b>	Approved by	
		Document type	Document status	
		Title <b>LE trotti Bloc extérieur Fond ext</b>	DWG No.	
			Rev.	Date of issue



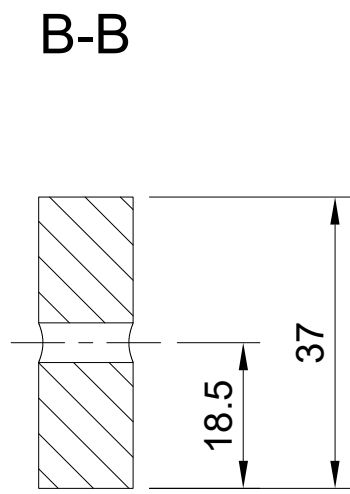
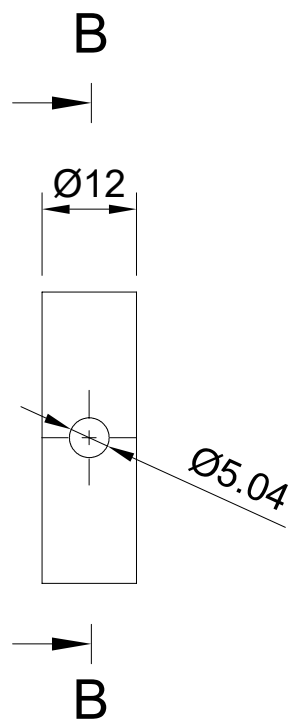
A-A



Liste de composants

élément	qté	nom de la pièce	matériau
1	1	Vis m6x105	Acier
2	1	Ecrou m6	Acier
3	1	Goupille	Acier
4	1	Rondelle m6	Acier

Dept.	Technical reference	Created by <b>Alexandre Le Roux 25/10/2022</b>	Approved by	
		Document type	Document status	
		Title <b>LE trotti Poussoir</b>	DWG No.	
		Rev.	Date of issue	Sheet <b>10/11</b>



Dept.	Technical reference	Created by <b>Alexandre Le Roux 25/10/2022</b>	Approved by	
		Document type	Document status	
		Title <b>LE trotti Poussoir</b>	DWG No.	
		Rev.	Date of issue	Sheet <b>11/11</b>