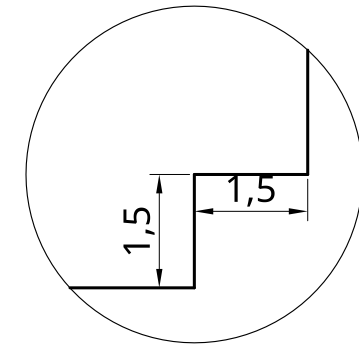
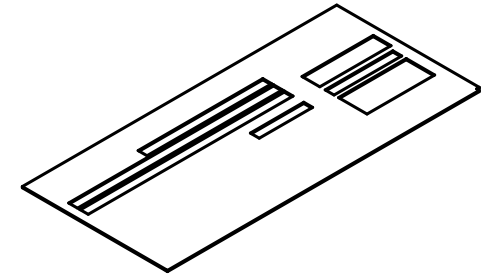
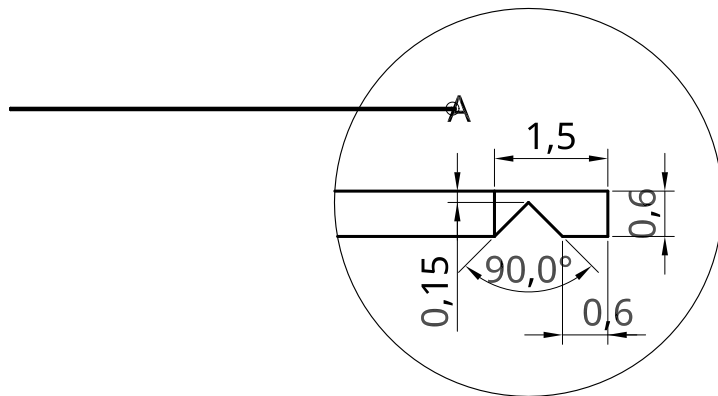


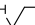
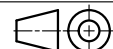
1:1



B
10:1



A
10:1

UNLESS OTHERWISE SPECIFIED, DIMENSIONS ARE IN MILLIMETERS ANGULAR = ± ° SURFACE FINISH  DO NOT SCALE DRAWING BREAK ALL SHARP EDGES AND REMOVE BURRS FIRST ANGLE PROJECTION 	DRAWN	NAME	SIGNATURE	DATE	TITLE ----Guide Chèque Version 2
	CHECKED	CHRISTIAN FROMENTIN		2020-05-16	
	APPROVED				
	MATERIAL	FINISH		SIZE A4	DWG NO. V 2
				SCALE 1:3	WEIGHT
				SHEET 1 of 1	REV.