

8

7

6

5

4

3

2

1

H

H

G

G

F

F

E

E

D

D

C

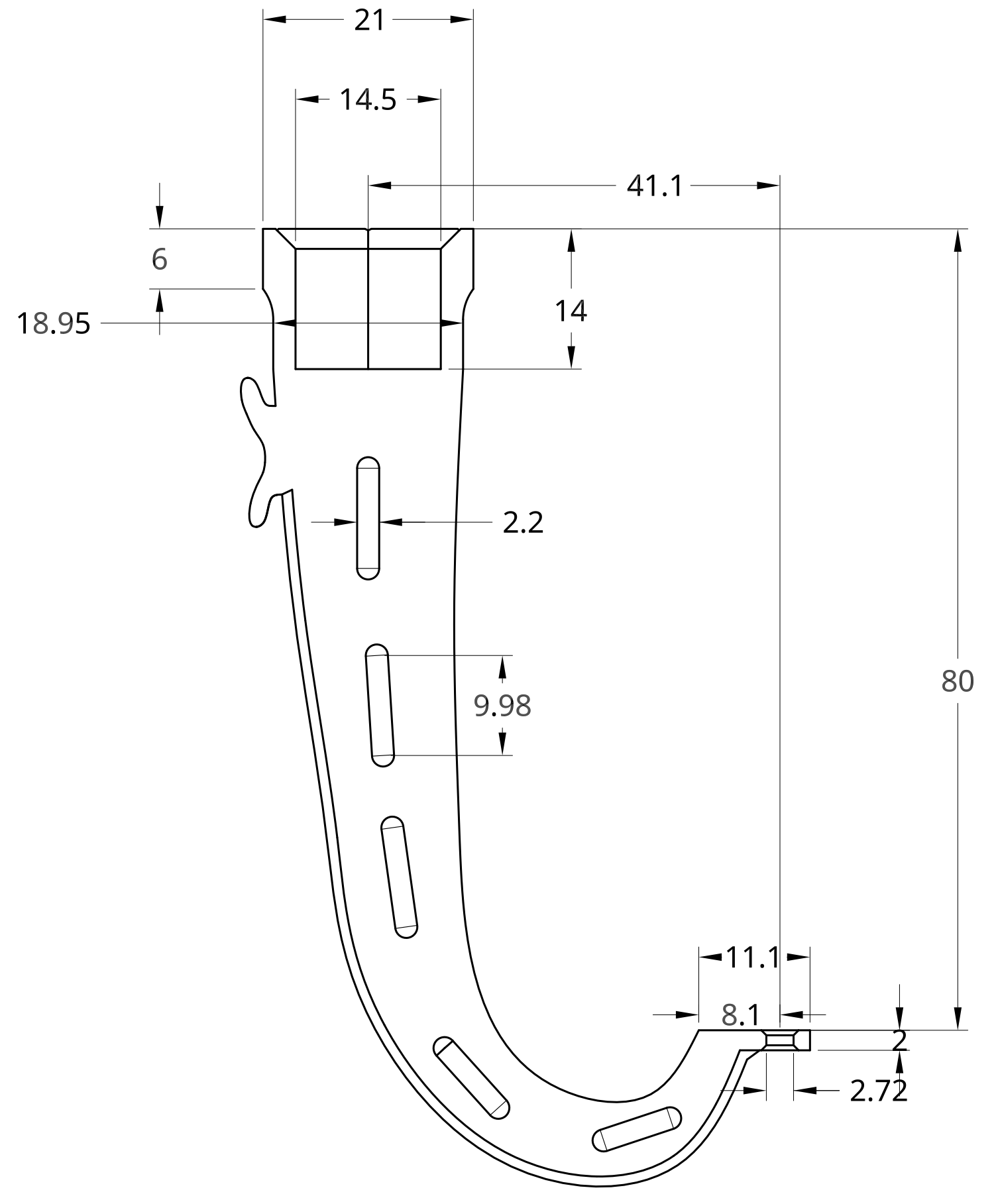
C

B

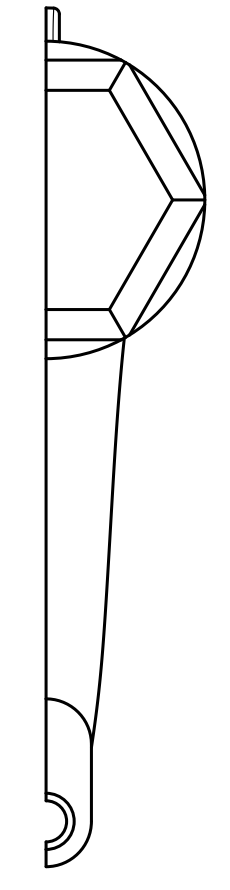
B

A

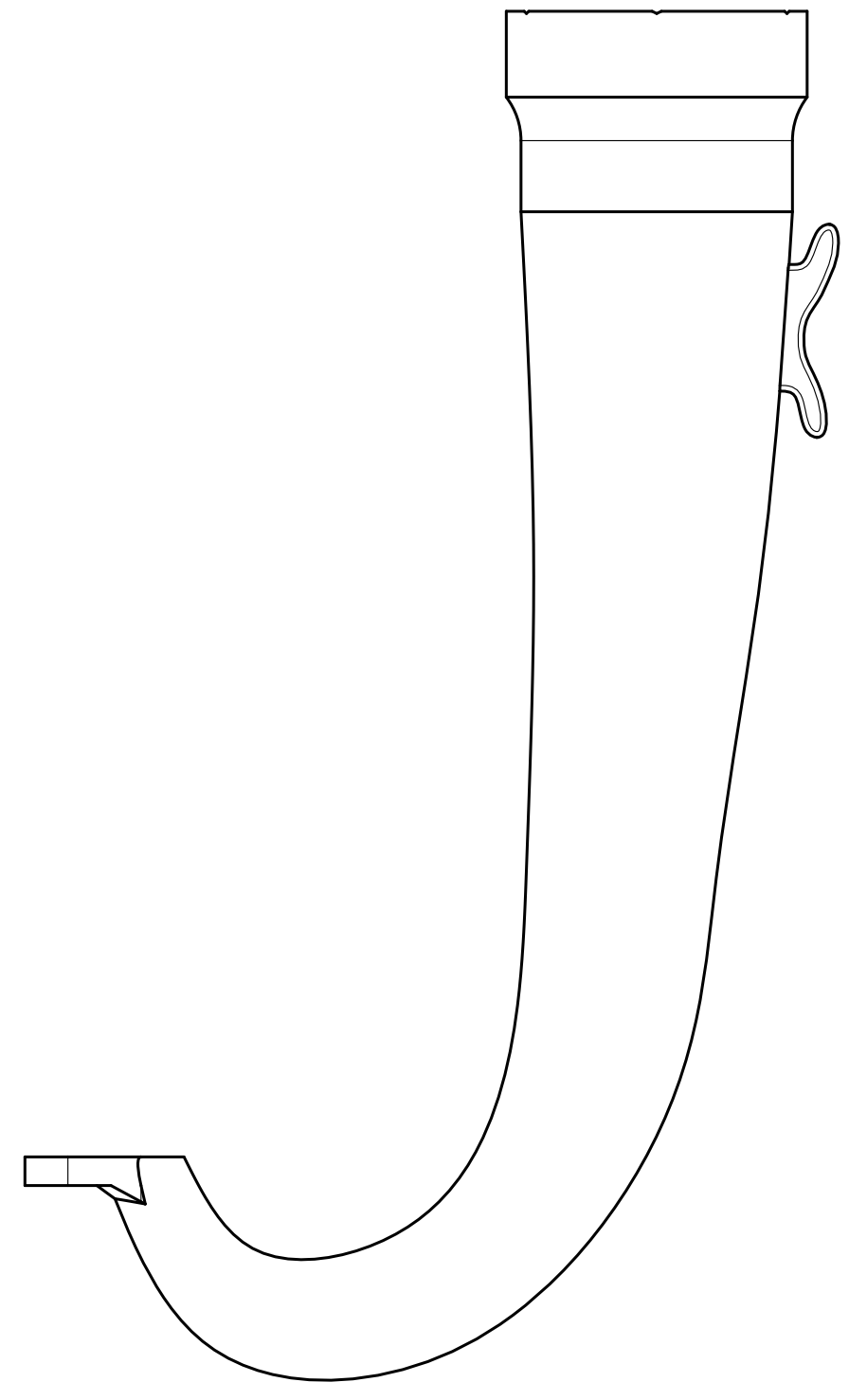
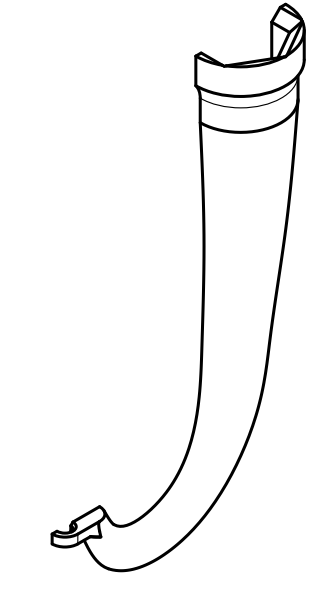
A



SCALE 2:1



SCALE 2:1



SCALE 2:1

UNLESS OTHERWISE SPECIFIED, DIMENSIONS ARE IN MILLIMETERS		NAME	DATE		
ANGULAR = ± °		DRAWN	Christian FROMENTIN	02/09/2018	
SURFACE FINISH		CHECKED			TITLE
DO NOT SCALE DRAWING		APPROVED			---
BREAK ALL SHARP EDGES AND REMOVE BURRS					---
THIRD ANGLE PROJECTION		MATERIAL	FINISH	SIZE	DWG NO.
				D	---
				SCALE	1:1
				WEIGHT	
				SHEET	1 of 1
				REV.	-

8

7

6

5

4

3

2

1