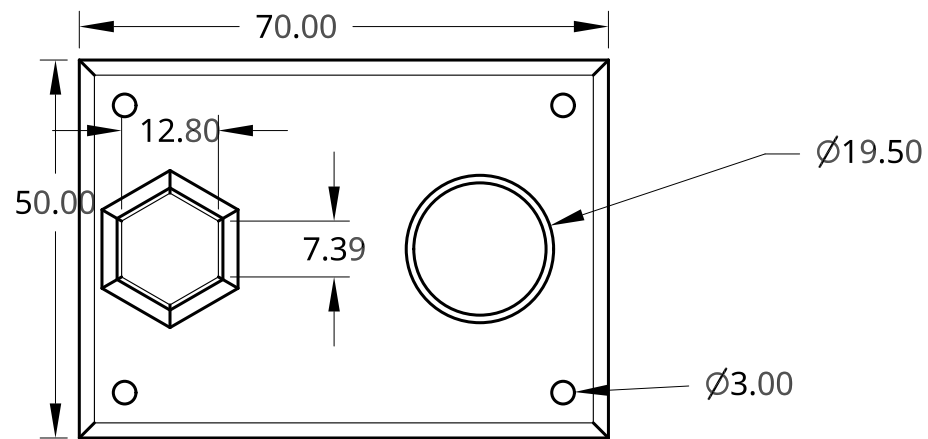
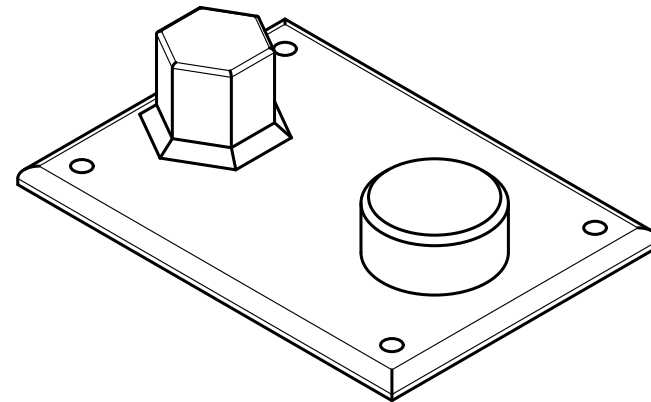
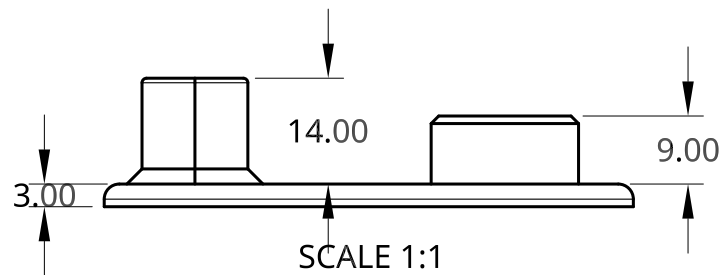


2

1



SCALE 1:1

UNLESS OTHERWISE SPECIFIED,
DIMENSIONS ARE IN INCHES

.XX = ±.0-
.XXX = ±.00-
.XXXX = ±.000-

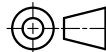
ANGULAR = ± °
FRACTIONAL = ±

SURFACE FINISH

DO NOT SCALE DRAWING

BREAK ALL SHARP EDGES AND
REMOVE BURRS

THIRD ANGLE PROJECTION



NAME DATE

DRAWN Christian FROMENTIN 02/09/2018

CHECKED

APPROVED

TITLE

SIZE A DWG NO. REV. -

SCALE 1:2 WEIGHT SHEET 1 of 1

2

1

B

A