

8

7

6

5

4

3

2

1

H

H

G

G

F

F

E

E

D

D

C

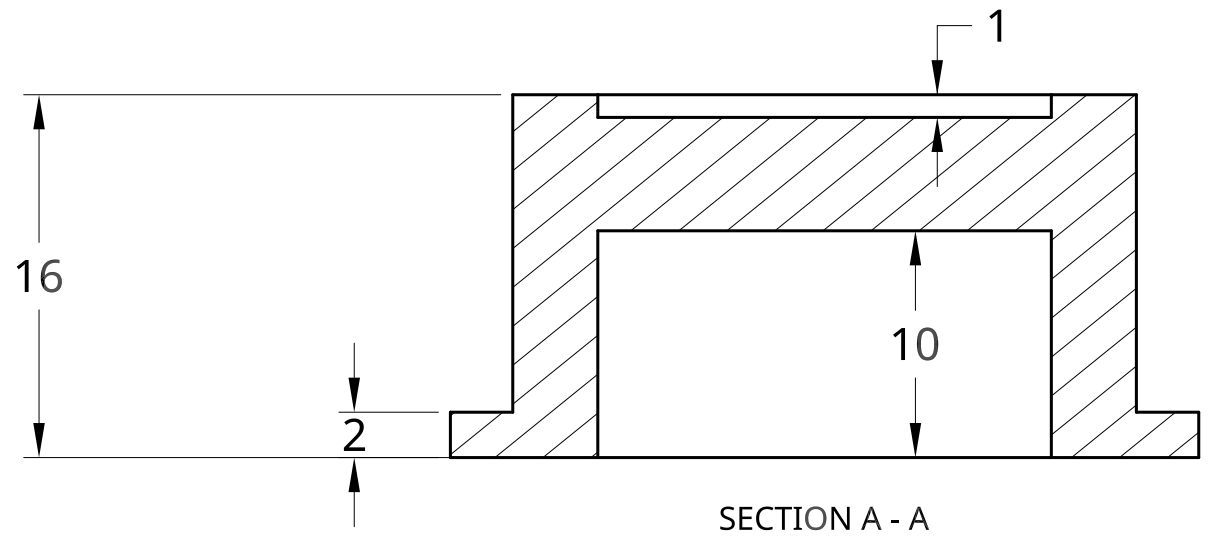
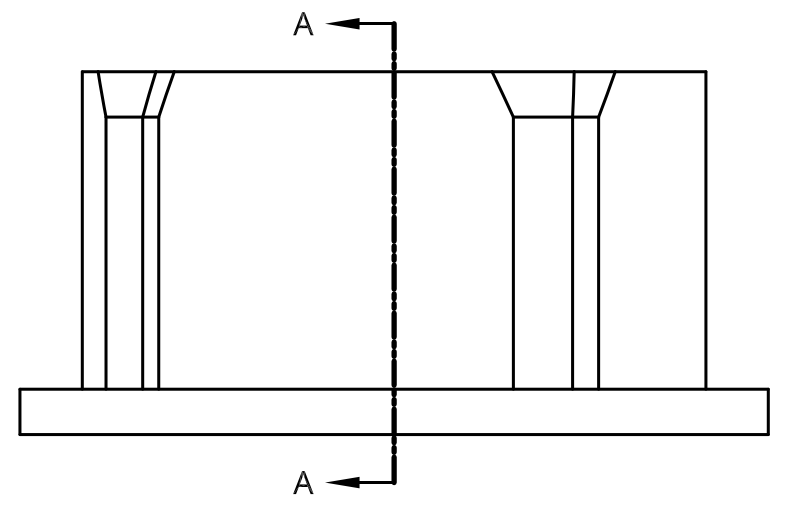
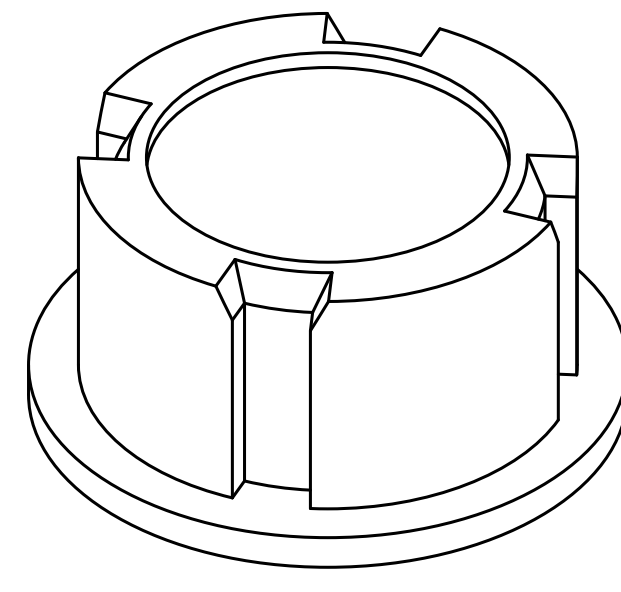
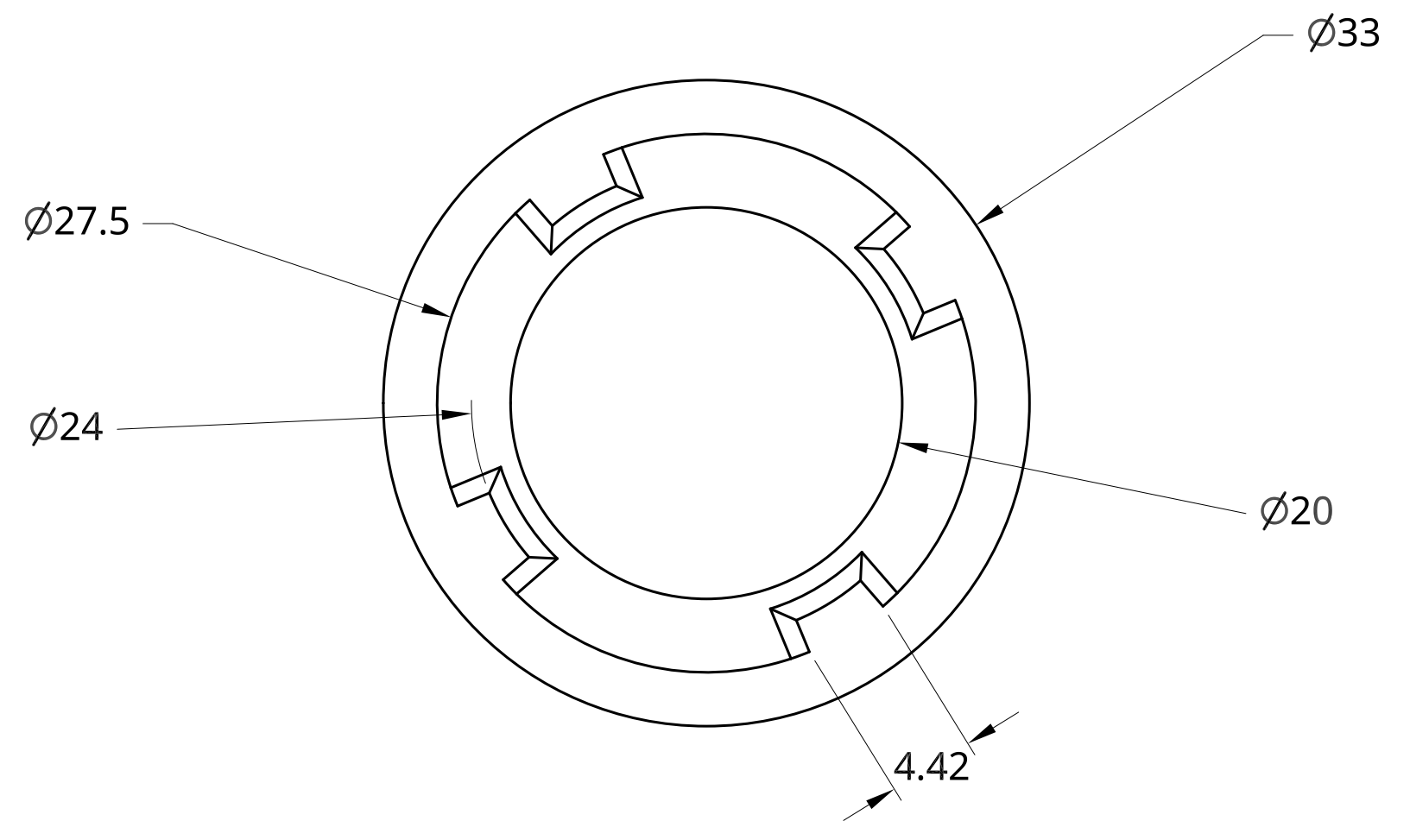
C

B

B

A

A



UNLESS OTHERWISE SPECIFIED, DIMENSIONS ARE IN MILLIMETERS		NAME	DATE		
ANGULAR = ± °		DRAWN	Christian FROMENTIN	02/09/2018	
SURFACE FINISH		CHECKED			TITLE
DO NOT SCALE DRAWING		APPROVED			----
BREAK ALL SHARP EDGES AND REMOVE BURRS					----
THIRD ANGLE PROJECTION	MATERIAL	FINISH	SIZE	DWG NO.	REV.
			D		-
	SCALE	3:1	WEIGHT	SHEET	1 of 1

8

7

6

5

4

3

2

1