

6

5

4

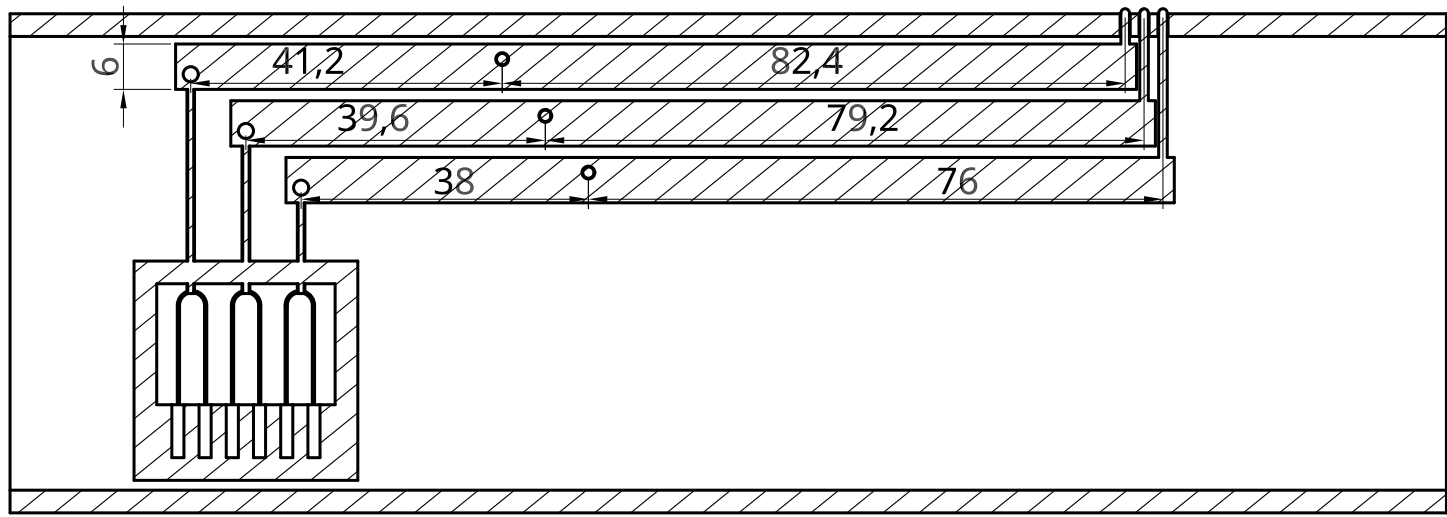
3

2

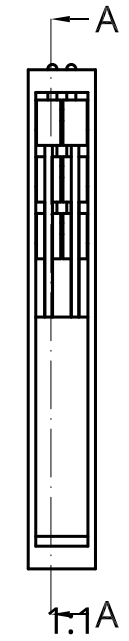
1

D

D



A - A
1:1



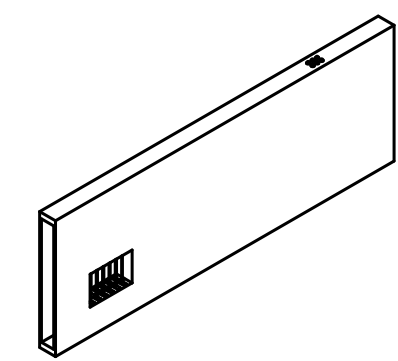
1:1A

C

C

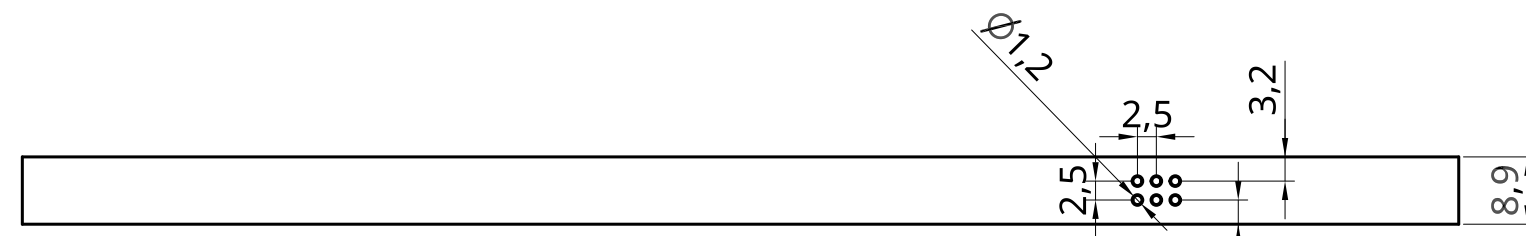


1:1



B

B



1:1

A

A

UNLESS OTHERWISE SPECIFIED, DIMENSIONS ARE IN MILLIMETERS					
DRAWN		NAME	SIGNATURE	DATE	TITLE
CHECKED		CHRISTIAN FROMENTIN		2020-04-24	
APPROVED					
DO NOT SCALE DRAWING					
BREAK ALL SHARP EDGES AND REMOVE BURRS					
FIRST ANGLE PROJECTION		MATERIAL	FINISH	SIZE	DWG NO.
				A3	REV.
SCALE 1:3		WEIGHT		SHEET 1 of 1	

6

5

4

3

2

1